



Decorative Wall Motivo

Installation and User Manual

Installation and User Manual

1. General Information:

- 1.1. The Motivo decorative wall should be stored indoors, on a dry, flat, stable surface that guarantees no direct contact with the ground, in a horizontal or vertical position, ensuring stable support of the panels over their entire surface (without the risk of bending) at a maximum temperature of 60°C, with no exposure to direct sunlight.
- 1.2. The Motivo decorative wall should be transported in a horizontal position, at a maximum temperature of 60°C.
- 1.3. Prior to installation, the Motivo decorative wall should be seasoned in the room where it will be installed for a minimum of 24 hours, so that its temperature adjusts to the ambient temperature.
- 1.4. Unpack the product and compare colours before installation.
- 1.5. We recommend finishing the Motivo decorative wall with dedicated finishing trims.
- 1.6. Do not use the Motivo decorative wall in areas exposed to temperature that stays above 40°C, e.g., in a sauna, on a chimney, next to a cooker, in rooms exposed to temperature fluctuations above 10°C; areas with strong sunlight.
- 1.7. The Product can be installed in damp areas (kitchen, bathroom), providing it has been sealed with silicon. The Product can be mounted on ceilings.
- 1.8. Do not modify the Product by treating its surface or covering it with another material.
- 1.9. If there are any visible defects in the Product or if you notice any irregularities, report these immediately to the dealer before installation.
- 1.10. All principles listed in the installation and user manual should be adhered to. Non-compliance with the instructions causes the loss of product guarantee.
- 1.11. Product for indoor installation only.
- 1.12. The Product is 100% recyclable.

2. Installation

- 2.1. The Motivo decorative wall should be installed on a frame or using adhesive, and in the case of installation on a ceiling – with adhesive and staples.
 - 2.2. The Motivo decorative wall should be installed vertically and on a ceiling.
 - 2.3. The installation should be carried out by persons with basic technical knowledge and knowledge of safety rules.
 - 2.4. The Motivo decorative wall should be installed from left to right, according to the numbering on the back of each panel.
 - 2.5. Put the first panel against the wall/ceiling, check the plumb line and install it, then insert the next panel.
 - 2.6. Before installing the panels on a wall, level the floor.
 - 2.7. Use wedges to align the pattern on the Motivo decorative wall.
- ### Constructing the Frame
- 2.8. The frame should be made of wooden battens fastened directly to the wall.
 - 2.9. All battens should be levelled using a spirit level, so that they form an even plane; use shims or wedges to level the battens if necessary.
 - 2.10. Battens should be laid perpendicularly to the direction of panel installation – if the panels are installed vertically, the battens should be laid horizontally.
 - 2.11. Distance between the battens – 40 cm.
 - 2.12. The battens should be:
 - made of good quality wood, without knots
 - fixed to the wall firmly and securely with screws or other fasteners suitable for the type of surface
 - battens should be left for at least 24 hours in the room they are to be installed in (in order to even out the temperature and humidity).

Installation on a Frame

- 2.13. Fix the panels to the batten using the tongue on the long side.
- 2.14. The staple should adhere so that it does not damage the next panel.

Installation Using Adhesive

- 2.15. The surface must be prepared properly – it must be smooth and dry and cannot crumble.
- 2.16. We recommend using a highly flexible hybrid polymer adhesive for indoor applications and for various building and construction materials, including damp materials, such as concrete, brick, drywall, natural stone, wood and wood-based

products, metals, glass and ceramics, the majority of plastics, for example PVC, expanded polystyrene, polyacrylates, and polycarbonates, e.g., the VOX assembly adhesive.

- 2.17. The adhesive should be applied according to its instructions, in a well-ventilated room.
- 2.18. Apply the adhesive to the panel in an S-shaped motion
- 2.19. For the first panel on a wall, the entire surface needs to be covered with adhesive, with only the lock zones left out.

Installation on a Ceiling

- 2.20. If the panels are installed on a ceiling, we recommend installing – directly on the OSB – using adhesive and staples. The adhesive should be applied over the entire surface of the panel, with only the lock zones left out.
- 2.21. When installing panels on a ceiling, do not push the finishing trim all the way in – leave a 3 mm gap.
- 2.10. Before installing panels on a ceiling, check the level of the OSBs with a spirit level and check the connections between them.
- 2.22. Installation on the ceiling should start with the installation of the finishing trims: B4, B2 (recommended), and B6. Install the trims using adhesive and staples. To join the trims together, cut them at 45° or 90°.
- 2.23. The tongue of the first and last panel should be trimmed (see Fig. Trimming Start-Finish Panels), as close to the chamber wall as possible.
- 2.24. To join panels on the shorter side, use the B3 connector – install it using adhesive and staples.

Cutting the Panels

- 2.25. Conventional carpentry tools for cutting or drilling, such as a hand saw, jigsaw, or table saw, should be used to work on the Motivo decorative wall. Fine-toothed saws should be used; power tools for machining should be used at the same or higher speeds as for woodworking.
- 2.26. When finishing the floor panels with B1-B5 finishing trims, remember to cut off the tongue.

NOTES:

- When installing using adhesive, leave the panels to dry in a well-ventilated room
- In rooms that require the panels to be sealed with silicone, follow the manufacturer's recommendations and allow the panels to dry.

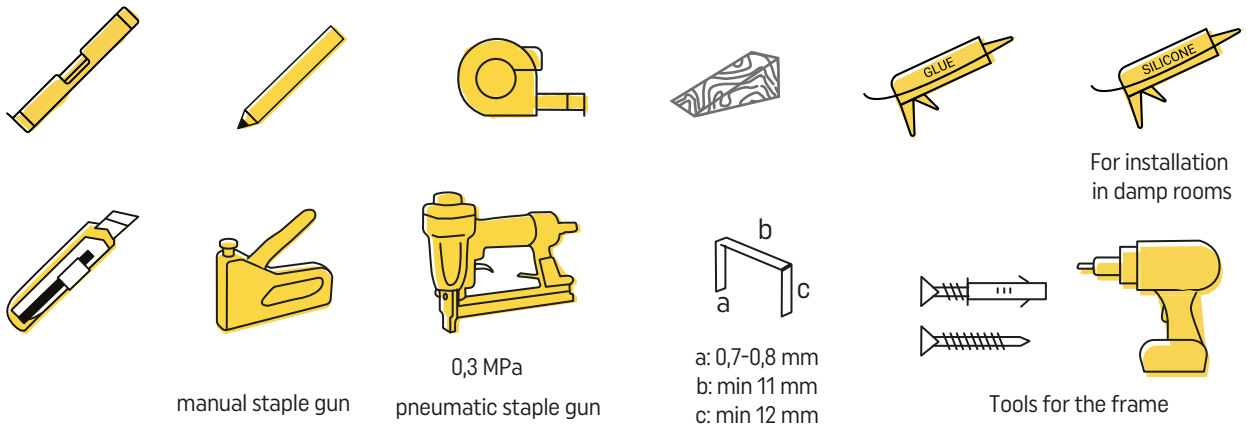
3. Product usage information

- 3.1 The panel should not be subjected to any additional load or be a load-bearing element in a structure.
- 3.2. No hangers, shelves, or any other objects may be screwed directly to the panel
- 3.3. Things can be screwed to the surface under the panel using suitable screws or dowels designed for the type of surface. To do so, drill a hole in the panel.

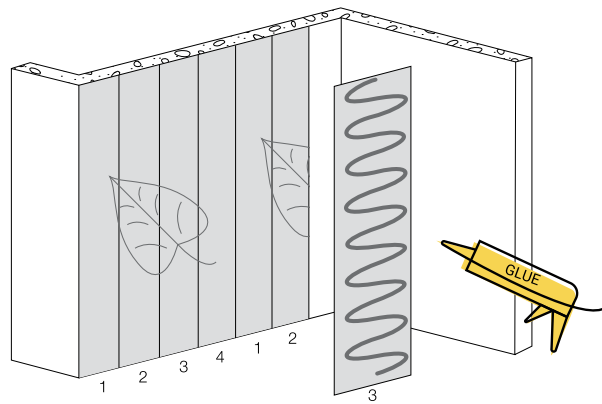
4. Cleaning and Maintenance

- 4.1. Do not leave liquid stains to dry.
- 4.2. Clean the Motivo decorative wall with water and a light detergent and cloth; do not leave detergent on the surface, rinse thoroughly after cleaning.
- 4.3. Do not clean the Motivo decorative wall with sharp and rough cloths, sponges, or brushes.
- 4.4. Intense scrubbing and the use of strong cleaning agents or leaving detergents on without rinsing can damage the panel surface or cause material discolouration.
- 4.5. Do not use solvents, acids, and bases or agents based on these ingredients for cleaning.

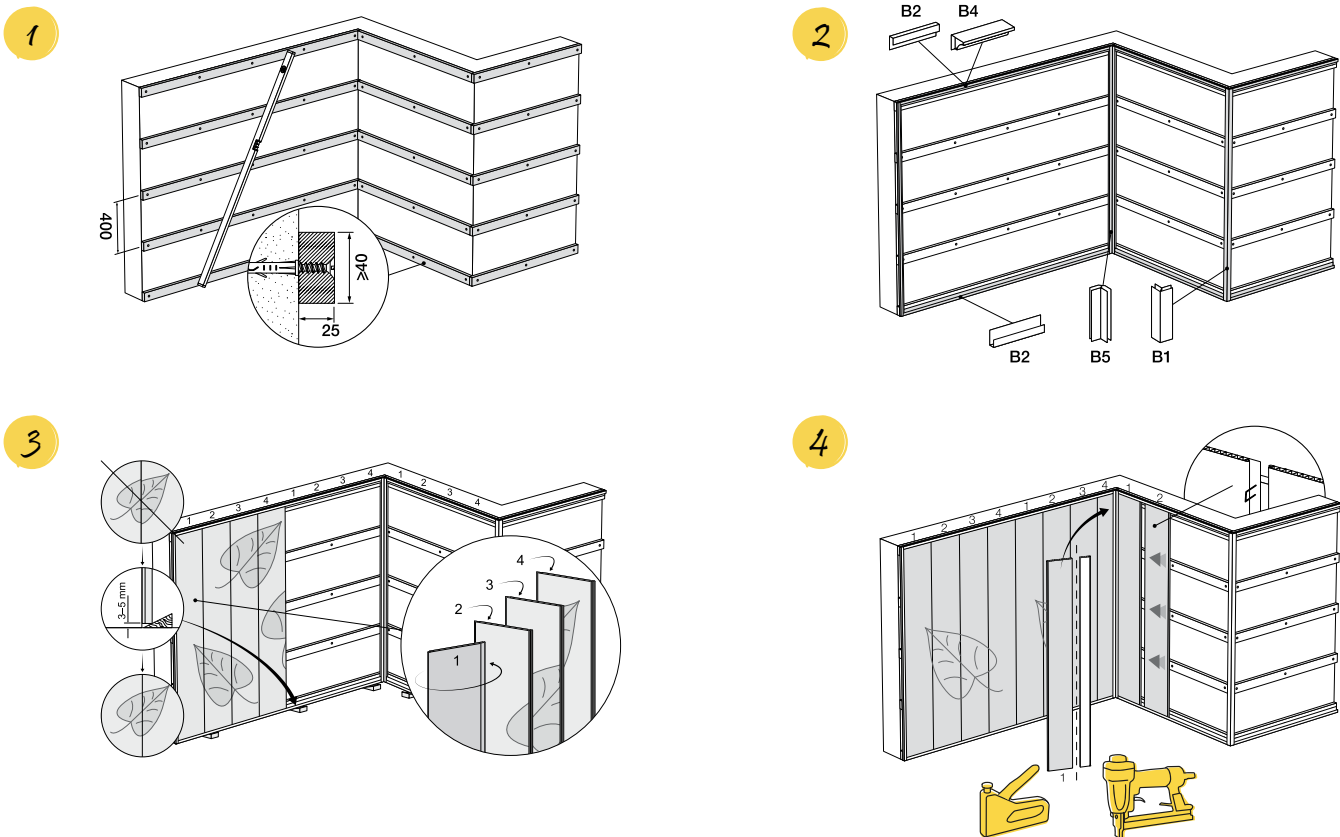
Tools



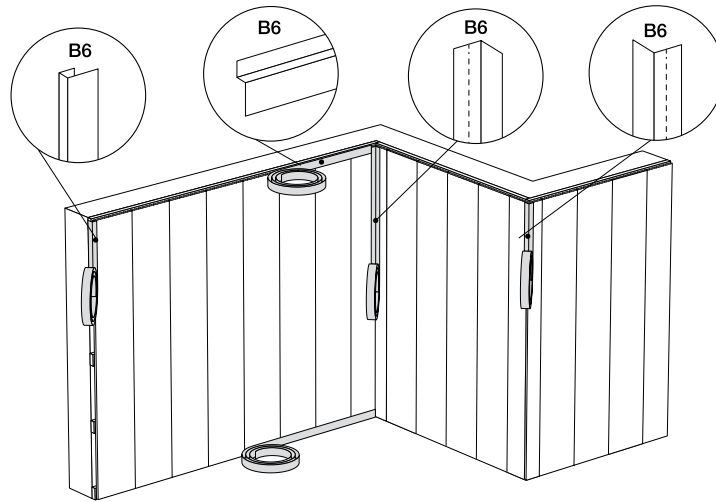
Installation Using Adhesive



Installation on a Frame

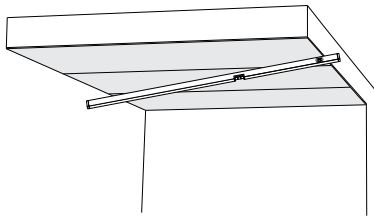


Universal Finishing Trim

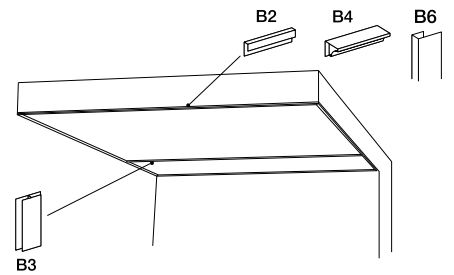


Installation on a Ceiling

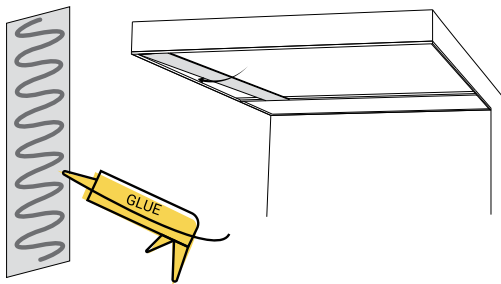
1



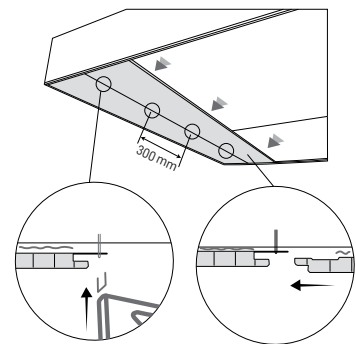
2



3



4



Installation of Finishing Trims

Trimming Start-Finish Panels

